

Sennheiser BW900 Wireless Microphone with Rocker Switch

Set-Up and Instructions for Use

This unique microphone is designed for use with a telephone, but can also be connected to a PC via several mechanisms. Connecting the BW900 to a Bluetooth connection is discussed elsewhere. These instructions describe how to connect your BW900 to a PC using a reliable wired connection with a GN Netcom SeleCT switch and its included modular to twin 3.5 mm cable.

Preliminary Set-Up: First, you must make the basic connection of the BW900, SeleCT Switch, your PC and your telephone. Depending upon whether you have an office telephone with a modular “headset” jack, or a regular corded telephone, use the set-up described below, using the included modular telephone cords.

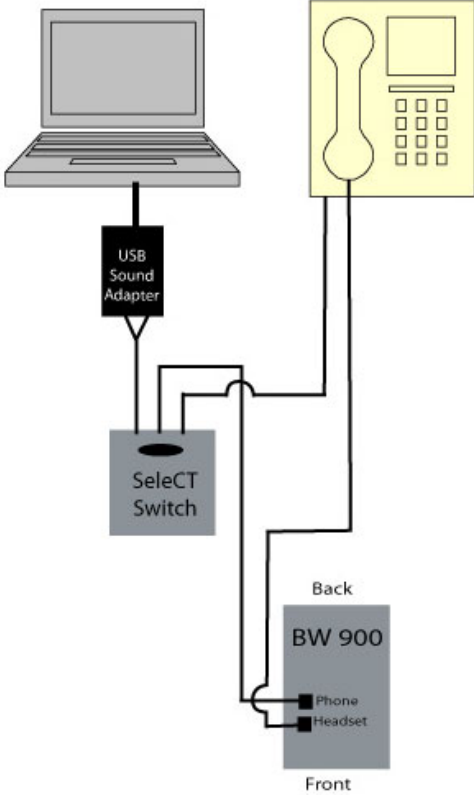
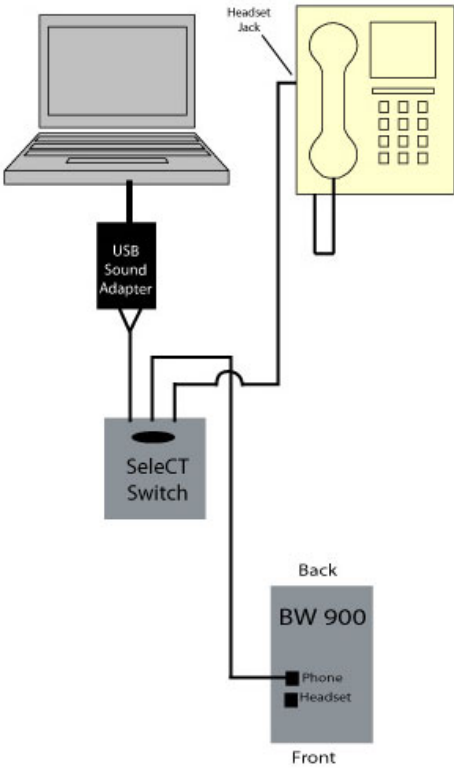
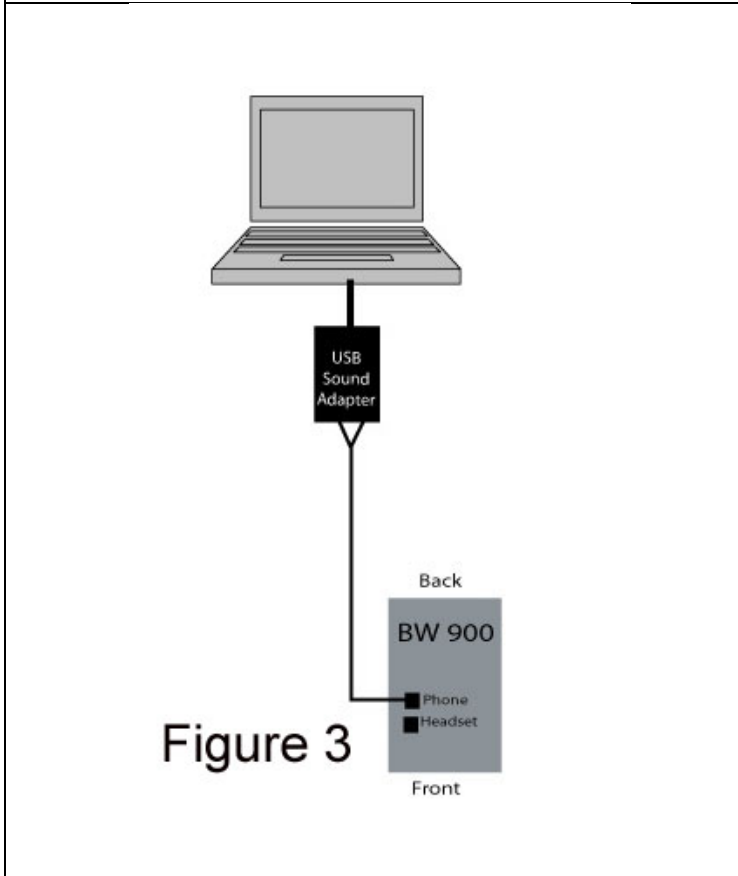
Figure 1: Set up with standard corded telephone	Figure 2: Set-up with Phone with Headset Jack
	
<p>Typical Set-up in which BW900 is used both PC and telephone. SeleCT switch is used to toggle back and forth between PC and telephone. Although the USB adapter is optional, it is highly recommended.</p>	<p>Set-up in which BW900 is used with PC and telephone having a modular headset jack. Switch is used to toggle back and forth between PC and telephone</p>

Figure 3: Computer Only Set-up



Set-up in which BW900 is used only with PC and not telephone. In this set-up the SeleCT switch is not used, but the y-cable (modular to double 3.5 mm plug) cable is used to make the connection. Although the USB adapter is optional, it is highly recommended.

Details of connections:

With Standard Telephone:

1. A modular telephone cable must connect from the "Phone" jack on the BW900 to the central plug on the SeleCT Switch
2. A modular telephone cable must connect from the "headset" jack on the BW900 to the telephone receiver
3. The right-most jack on the SeleCT switch connects to the telephone jack to which the telephone headset normally connects.
4. The Y-cable included with the SeleCT switch is plugged into the left-most (PC) jack on the SeleCT switch and the two 3.5 mm plugs are attached either to a USB sound adapter or

directly to the microphone and sound jack on the the PC. Although the use of a USB adapter is optional, it is highly recommend.

With a Telephone Having a Modular “Headset” Jack:

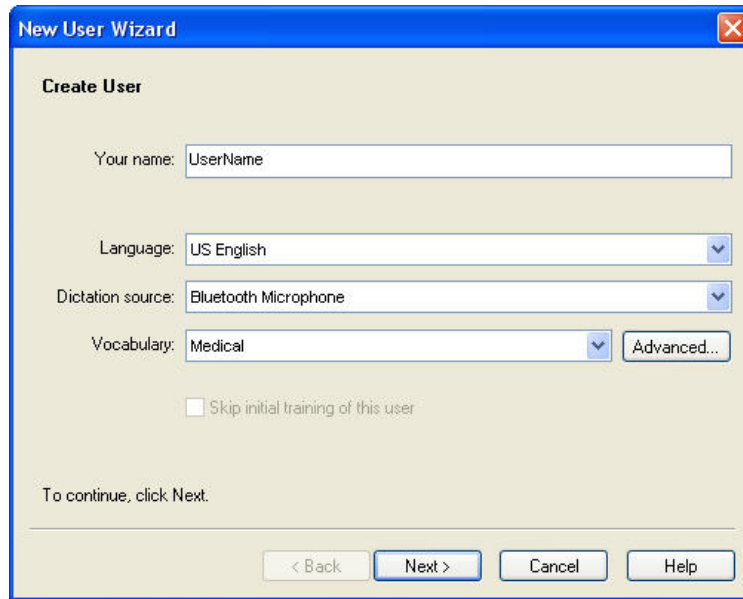
1. A modular telephone cable is used to make a connection from the “Phone” jack on the BW900 to the middle jack on the SeleCT switch
2. A modular telephone cable is used to connect the right-most jack on the SeleCT switch to the “headset” jack on the telephone
3. The Y-cable included with the SeleCT switch is plugged into the left-most (PC) jack on the SeleCT switch and the two 3.5 mm plugs are attached either to a USB sound adapter or directly to the microphone and sound jack on the PC. Although the use of a USB adapter is optional, it is highly recommend.

With PC only:

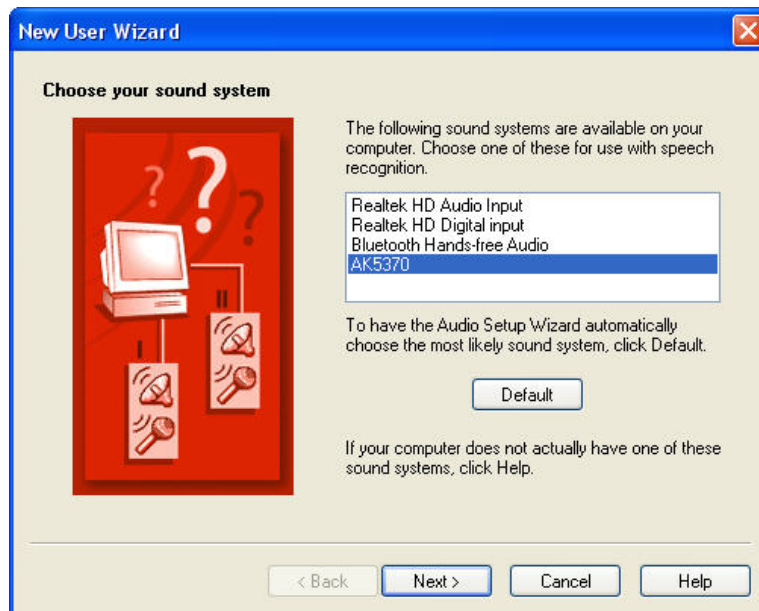
1. This set-up does not require use of the SeleCT switch but only the Y-cable that comes with the switch
2. Connect the modular end of the y-cable to the modular “phone” jack on the BW900 base.
3. Connect the two 3.5 mm audio plugs on the y-cable to the appropriate jacks on either a USB sound adapter (if used) or directly to the microphone and sound jack on the PC

Preparing the BW900 for Use with your PC and Telephone:

1. Be sure you have fully charged the BW900
2. Make all required connections as shown above
3. Set-up the BW900 as appropriate for your telephone (refer to the manual for details) of these steps) by opening the small door on the left side of the BW900
 - a. Set sliding switch to either the A, B, or C position and see which works best with your telephone
 - b. Make a call with the BW900, using the BW900 bluetooth headset and while talking, rotate the volume knob until the person on the other end indicates your speaking volume is appropriate.
4. Prepare the the BW900 for your PC
 - a. If using the rocker switch, be sure you have it set to the left (PC) position
 - b. If being used, be sure your USB sound adapter is connected and drivers installed (this is automatic once it’s attached)
 - c. Start Dragon NaturallySpeaking and create a new user (NaturallySpeaking > Manage Users > New)
 - d. Select bluetooth microphone as the dictation source



- e. In the next step, choose your sound system (either your USB sound adapter or the built in sound card on your PC).

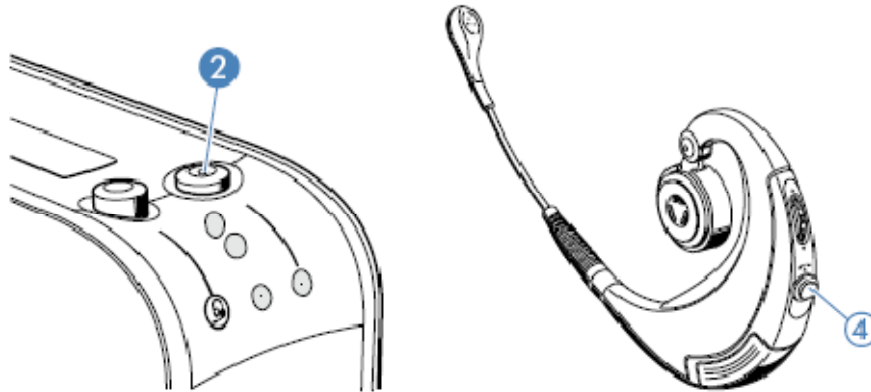


- f. Continue training for a new user, following all instructions and reading appropriate training text

Using the BW900 Wireless Microphone:

With your PC (for speech recognition and other PC applications):

1. Be sure your microphone is fully charged
2. If using the Select rocker switch, be sure to depress the left side to select PC
3. Remove the microphone from the cradle/charger and mount on your ear, placing the end of the boom about 3/4 inch from the side of your mouth
4. Activate the Bluetooth connection by pressing either the base station or headset hook button marked by (2) and (4) in the diagram below. Upon doing so, a small icon will shine blue on the base station below the hook button. This signifies communication between the headset and

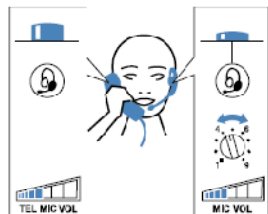
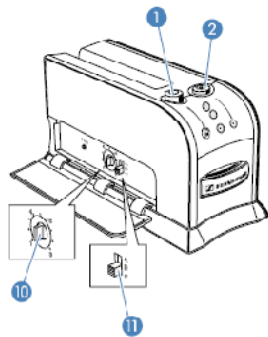


5. Use the microphone with dragon as you would with any other microphone

Miscellaneous instructions from the BW900 Manual

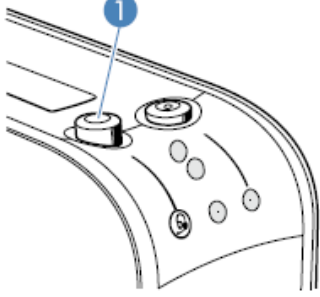
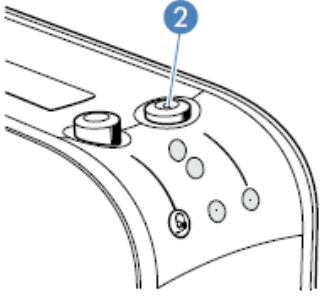
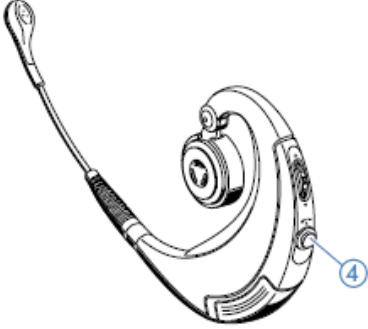
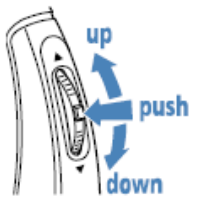
Adjusting the BW 900 to your office phone

To ensure optimum intelligibility, adjust the BW 900 system to your phone as follows:



- ▶ Press the headset/handset switch ① to the "down" position. The connection to the headset can be established.
- ▶ Put on the headset and adjust it for comfort.
- ▶ Press the headset hook button ④ or the base station hook button ②. A wireless link is established between the headset and the base station.
- ▶ Pick up the phone handset from its cradle.
- ▶ Adjust the telephone adjustment switch ⑥ so that the dial tone can be heard loud and clear in the headset.
- ▶ Turn the microphone volume knob ⑩ to position 1.
- ▶ Make a test call to someone while adjusting the microphone sensitivity.
- ▶ Speak to the other party by alternately using the handset (headset/handset switch ① is in the "up" position) and the headset (headset/handset switch ① is in the "down" position), always starting with the handset.
- ▶ Turn the microphone volume knob ⑩ so that the other party can hear you at a comfortable level, whether you use the headset or the handset.
- ▶ Hang up the phone and press either the headset hook button d or the base station hook button B.

Button overview

Button	Function	See
Headset/handset switch ① 	<ul style="list-style-type: none"> toggle between the office phone handset (up position) and the BW 900 headset (down position) 	page 14
Base station hook button ② 	<ul style="list-style-type: none"> accept an incoming call end a call 	page 15 page 16
Headset hook button ④ 	<ul style="list-style-type: none"> accept a call end a call toggle between Bluetooth device and office phone redial with Bluetooth device activate voice dialling 	page 14 page 16 page 22 page 22 page 15
Multi switch ③ 	<ul style="list-style-type: none"> adjust the volume (up/down) mute the headset microphone or acoustic signals (push) reject calls from the Bluetooth device (push) switch on/off (push until LED flashes 3 x blue: on – red: off) 	page 17 page 23 page 23 page 14