

Microphone Connections Illustrated

Matching the microphone to the device

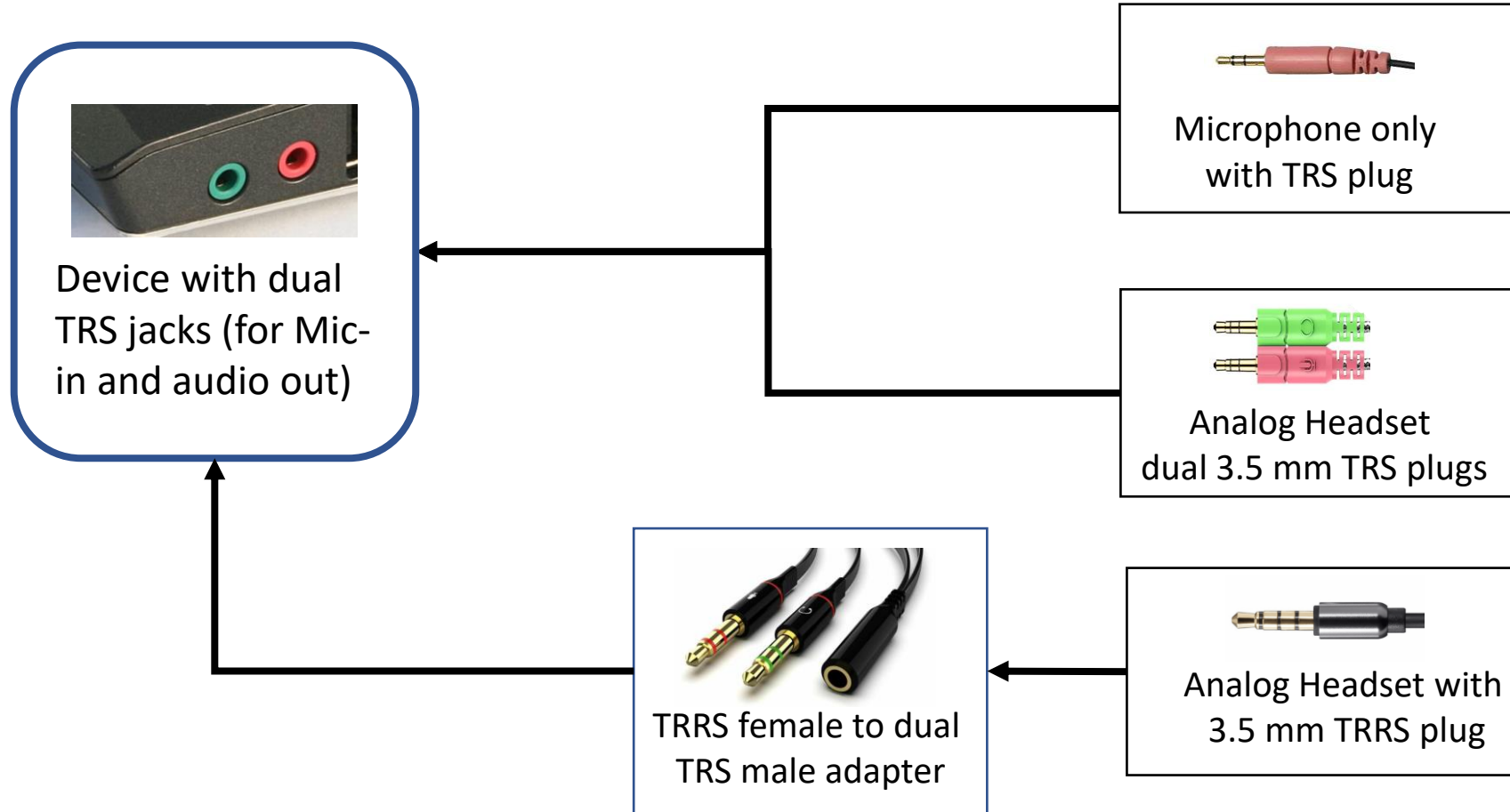
Jon W. Wahrenberger, MD
Speech Recognition Solutions, LLC
www.SpeechRecSolutions.com

Overview

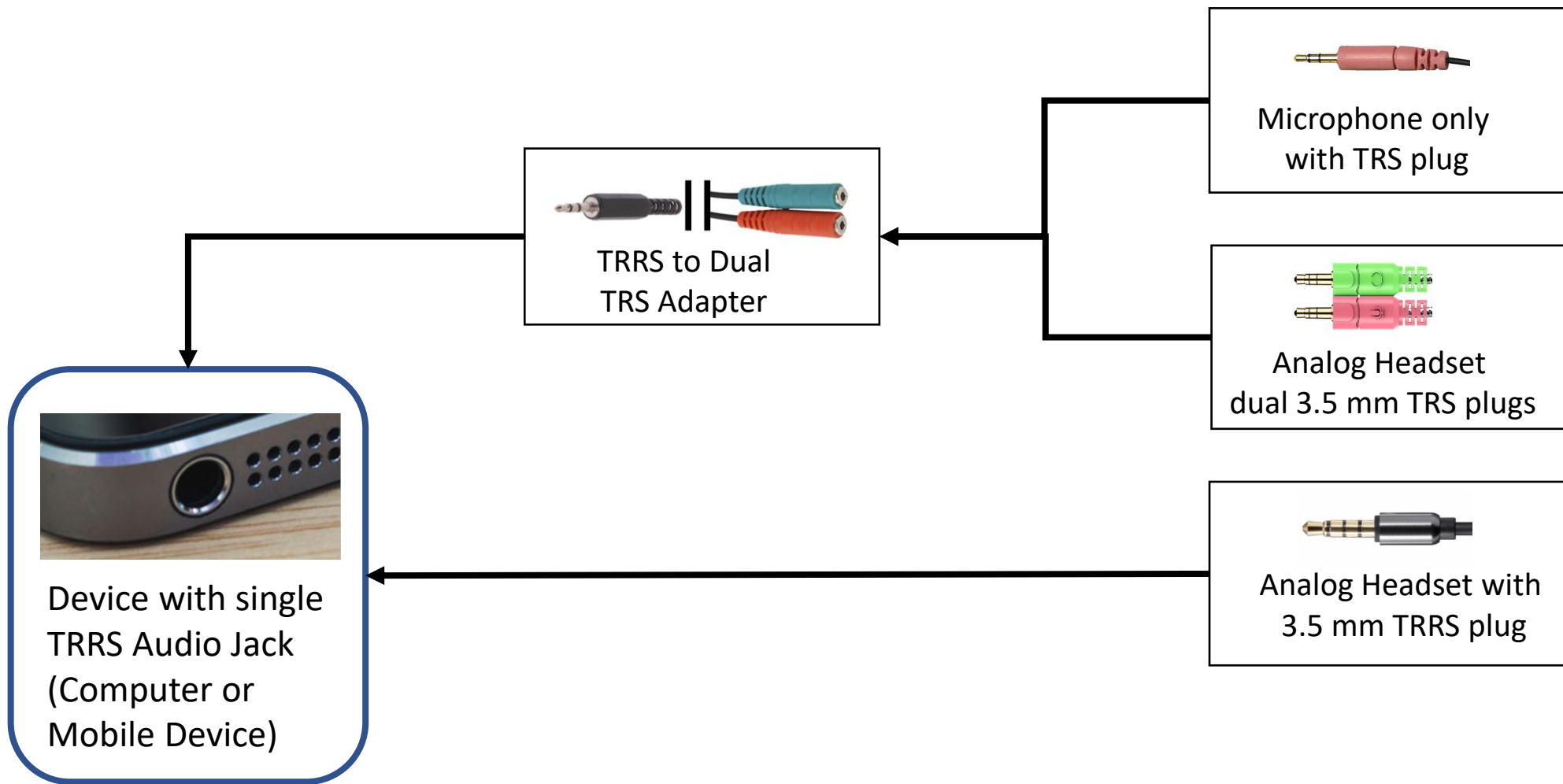
This brief guide, largely illustrations, is intended to give the user an overview of the various connection possibilities based upon your device and the type of microphone you have.

Several of the illustrated connections require the use of one or more adapters; we carry each of these adapter on our site but you can also find these from other sources. Please navigate to [Categories > Accessories](#) to see the adapters we sell.

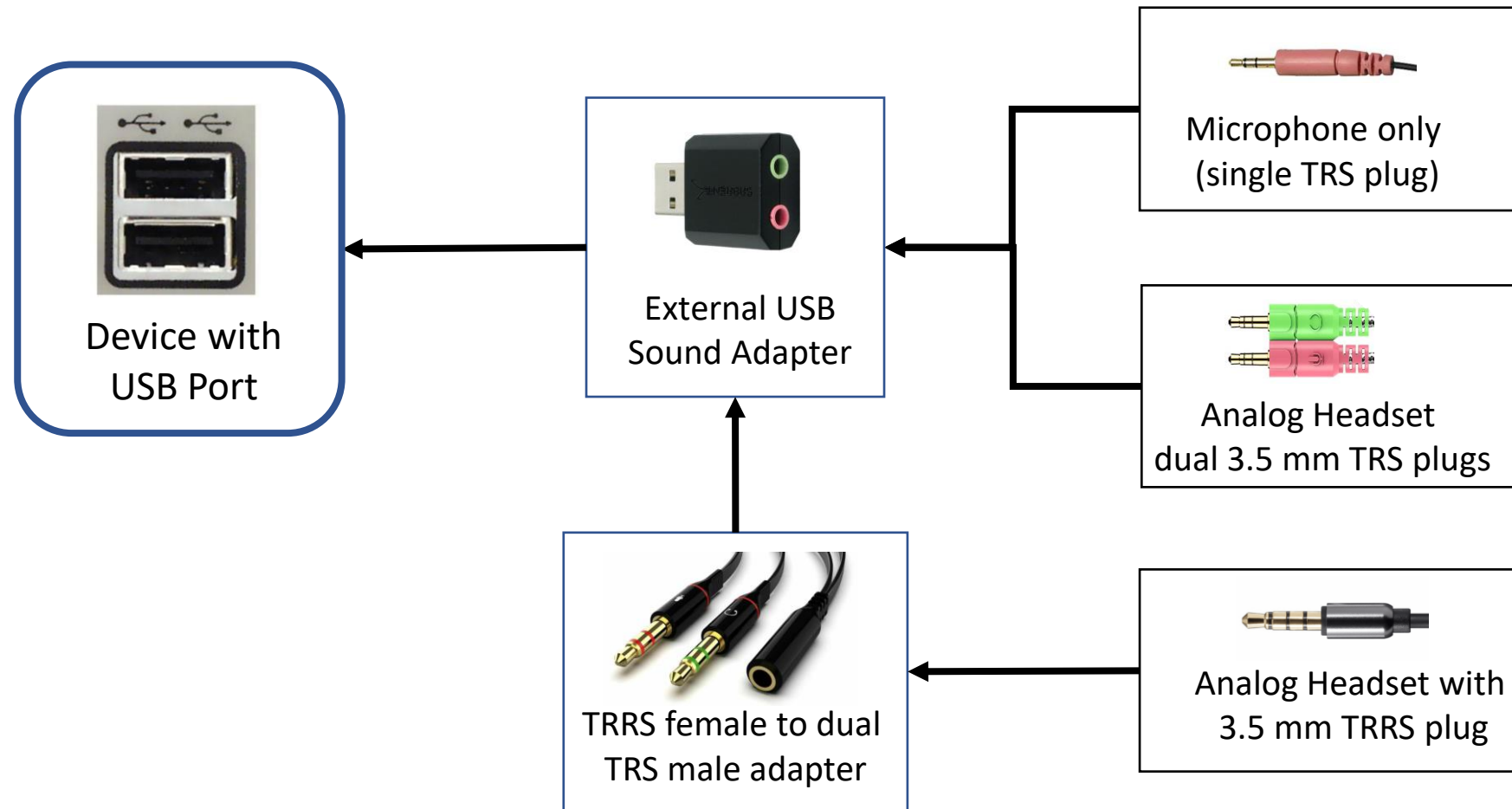
We hope this guide is helpful!



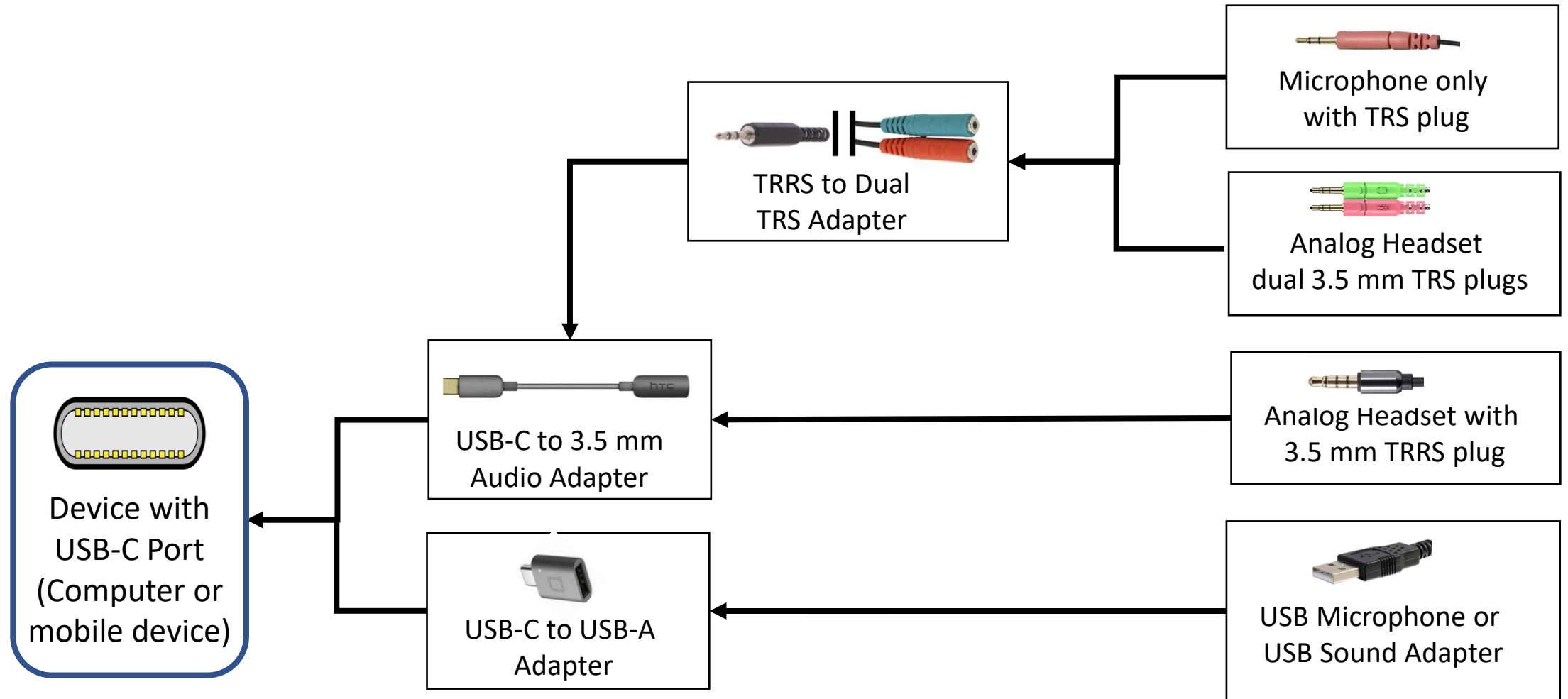
Connecting an analog microphone to a device with a dual 3.5 mm TRS jacks



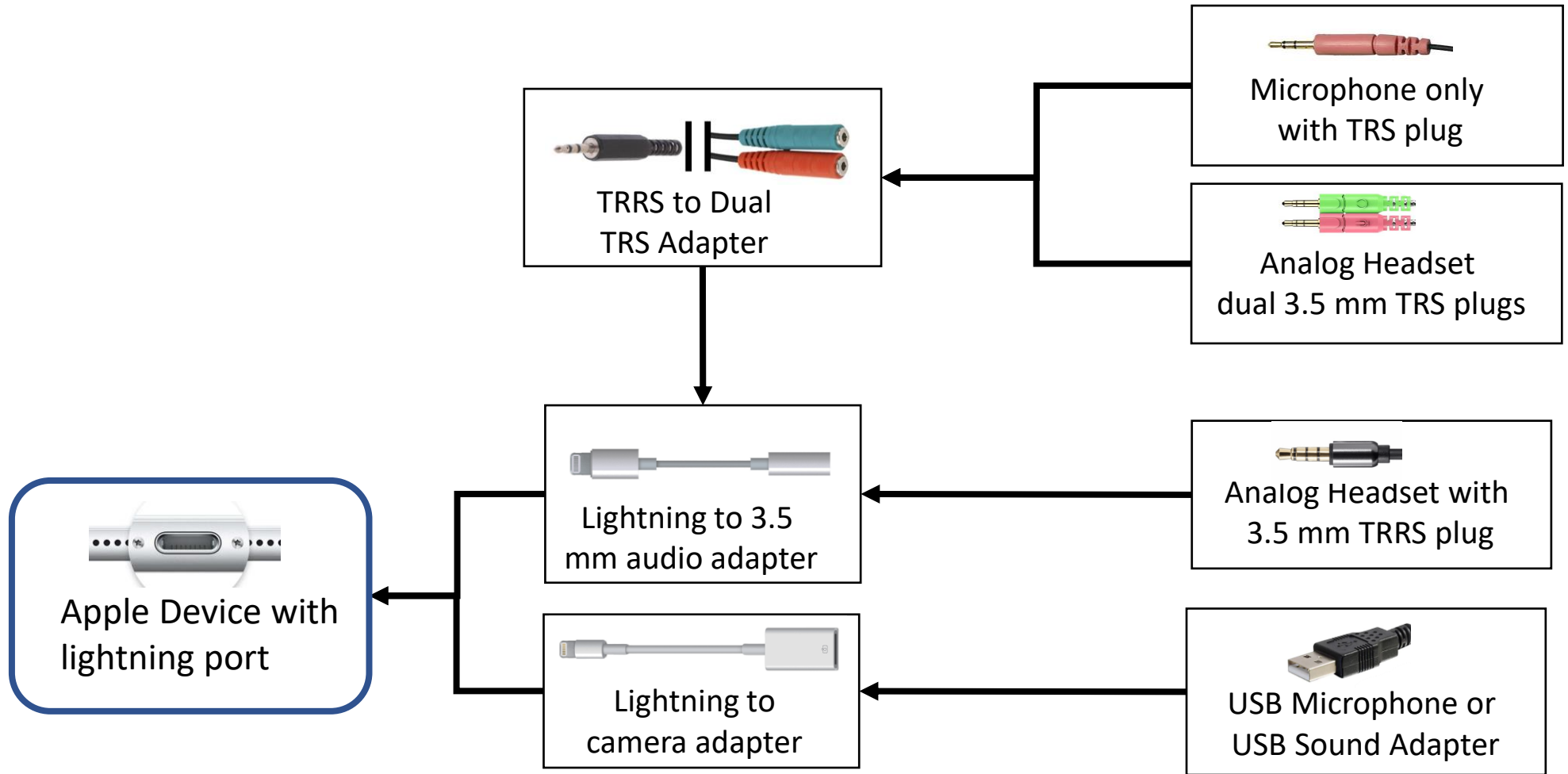
Connecting an analog microphone to a device with a single 3.5 mm TRRS jack



Connecting an analog microphone to a device with a USB-A port: use an external USB sound adapter



Connecting a microphone to a device with a USB-C Port



Connecting a mic to a device with a lightning port